



ISSN: 2319-5967

ISO 9001:2008 Certified

International Journal of Engineering Science and Innovative Technology (IJESIT)

Volume 6, Issue 1, January 2017

Efficiency Improvement of an Available Linear Motor Compressor and Design of A New Compressor

S. C. Chikurde, Prof. A. B. Datey

Abstract— NASA planned few Mars missions in between 2012 to 2017. This mission requires very compact maintenance free, long life cryocooler for production and storage of cryogenic fluid on Mars. The main moving component of cryocooler is linear motor and we have to design it very precisely to give good overall efficiency. So an attempt is made to carry out parametric analysis of motor available in lab. It was shown that the linear motor efficiency for available design increases by 4% approx. Based on this outcome, a new linear motor compressor is manufactured for different capacity pulse tube cryocooler with enhanced operational efficiency.

Index Terms— Linear motor compressor, moving coil linear motor, cryocooler, pulse tube

Nomenclature —

dw - Wire diameter

Dgo - Outer gap diameter

Cct - Gap clearance

Lg - Length of gap

I. INTRODUCTION

Cryocoolers are used in space related applications like space surveillance, Thermal imaging cameras, X-ray astronomy and satellite cooling system etc. Also nowadays pulse tube Cryocoolers are beneficial than stirling Cryocoolers as they have no moving parts in cold region and high reliability and stability of temperature at cold end.

Nowadays linear motors are used in cryocooler due to following advantages:

- No large number of moving parts
- Less friction and noise,
- No lubrication problem and
- Minimum vibrations.

In designing the motor, a FORTRAN code is prepared by using method proposed by Gaunekar et al [1], [2]. During designing selection of proper magnet material of high flux density and direction of magnetization to suit application is selected. Also by using code, magnet dimensions, coil dimensions, pole piece dimensions, magnet flux, gap flux etc. are determined.

II. DESIGN OF LINEAR MOTOR

Linear motor (LM) compressors use a current carrying wire within a magnetic field (Fig.1) to impart a linear force in the axial direction to the piston while conventional rotary compressors use a crankshaft to provide this force. Rotary compressors apply large radial forces to the piston, which provide no useful work, cause a large amount of wear and usually require lubrication. Lubrication is a major problem in Cryocoolers since contaminant can often migrate to the cold end of the cryocooler and liquefy or freeze. Linear motors eliminate radial forces completely since the force created in the wire is perpendicular to both the magnetic field and the direction of the current in the wire. A linear motor compressor can operate at any frequency but is most efficient operating at a unique resonant frequency.

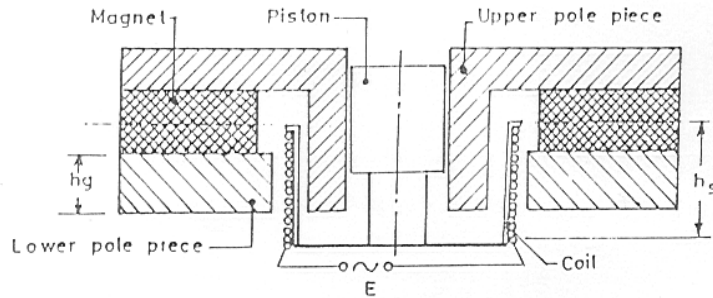


Fig. 1 Moving coil linear motor [3]

To minimize the vibration of reciprocating compressors a balanced opposed piston compressor is selected, in which the pistons are counter balanced in-line, 180° out of phase (Fig.2). The traditional problem of reciprocating compressor is the seal between the piston and cylinder, which has been accomplished by using piston rings and is another source of wear in the compressor and hence increase in power input. To achieve the same effect while eliminating contact between the piston and cylinder wall, thus eliminating wear clearance seals is selected. A gap of 15 μm is considered as will allow only a small percentage of the working fluid to pass through during a half cycle thus minimum loss of power. As the gas pressure on the backside of the piston is the average of that in the compression space, so it considered that there is no loss of gas from the compression space when averaged over one cycle. Clearance seals require very good alignment between the piston and cylinder over the entire stroke.

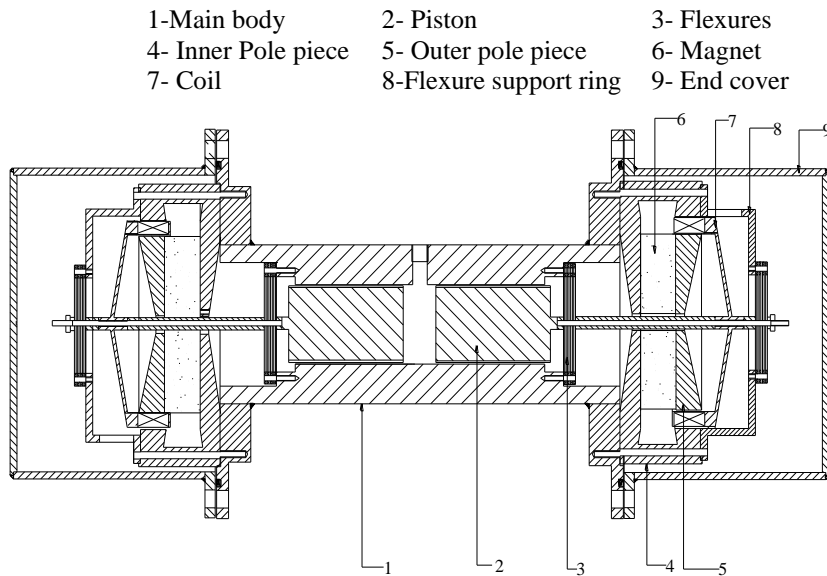


Fig. 2 Linear motor compressor [3]

III. PARAMETRIC ANALYSIS OF LM COMPRESSOR

By changing wire diameters, compressor efficiency for different gap lengths is found. The analysis is given in following Tables 1, 2 and 3-

dw = 0.417 = 27gauge				
Dgo	Cct	Layers	Lg	Efficiency
117	7.45	18	8.5	77.12
118	7.95	19	9.0	78.35



ISSN: 2319-5967

ISO 9001:2008 Certified

International Journal of Engineering Science and Innovative Technology (IJESIT)
Volume 6, Issue 1, January 2017

119	8.45	20	9.5	78.74
120	9.0	22	10.0	79.11
121	9.45	23	10.5	79.47
122	9.95	24	11.0	79.81

Table 1: Parametric analysis of available compressor with 27 gauge

Table 2: Parametric analysis of available compressor with 28 gauge

dw = 0.376 = 28 gauge				
Dgo	Cct	Layers	Lg	Efficiency
117	7.45	20	8.5	80.07
118	7.95	20	9.0	80.09
119	8.45	22	9.5	81.19
120	9.0	24	10.0	81.48
121	9.45	25	10.5	81.95
122	9.95	26	11.0	82.19

Table 3: Parametric analysis of available compressor with 29 gauge

dw = 0.345 = 29 gauge				
Dgo	Cct	Layers	Lg	Efficiency
117	7.45	22	8.5	82.19
118	7.95	23	9.0	82.67
119	8.45	24	9.5	82.95
120	9.0	26	10.0	83.21
121	9.45	27	10.5	83.43
122	9.95	28	11.0	83.64

From above we have optimized the parameters for our motor and given in following Table 4.

Table 4 Optimized parameters of LM after modification

Parameters	Optimized Value
Magnet outer diameter in mm	100
Magnet inner diameter in mm	10
Magnet length in mm	20
Gap inside diameter in mm	100
Gap outside diameter in mm	119
Gap width in mm	9.5
Coil wire gauge	28
Power output in W	300
Power input in W	369.5
Efficiency %	81.19

Thus the optimized motor gives approximately 4% rise in efficiency over previously 77 % efficiency of motor [4].

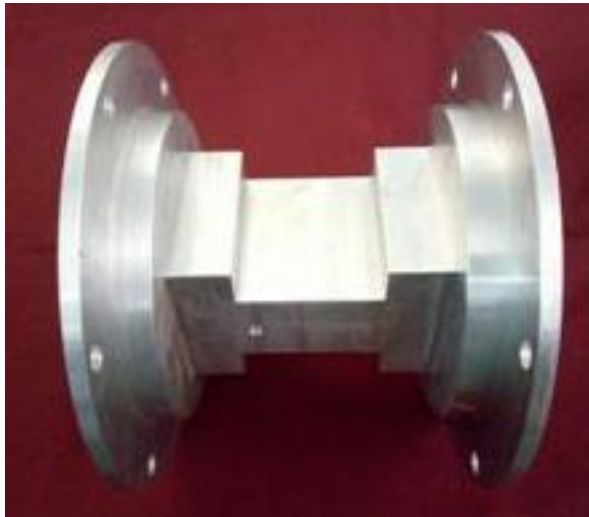
IV. SPECIFICATIONS OF NEWLY DESIGNED LM COMPRESSOR

By using same LM design code and making parametric analysis, new compressor is designed with 8cc displacement volume. For this compressor, optimized geometrical parameters are summarized in following Table 5 and some actual photographs of parts of compressor are shown in Fig.3

Table 5 Summary of new linear compressor design

Components /parameters	Unit	Size /specification
Compressor swept volume	cm ³	8 cc
Compressor piston diameter	mm	22.5
Motor type	--	Single coil opposed piston
Magnet	--	VACODYAM 655 HR
Magnet inner diameter	mm	10

Magnet outer diameter	mm	100
Magnet height	mm	20
Gap inner diameter	mm	100
Gap outer diameter	mm	118
Gap height	mm	15
Coil wire gauge	SWG	27
Number of Coil radial layers	--	18
Number of Coil axial layers	--	44
Wire length	M	254
Gap flux density	T	0.6
Total stroke	mm	10
Efficiency	%	87
RMS voltage	V	194
RMS current	Amp	0.795



a. Main body



a. Flexure



c. Piston and piston rod assembly



c. Coil former

Fig. 3 Different parts of newly fabricated compressor



ISSN: 2319-5967

ISO 9001:2008 Certified

International Journal of Engineering Science and Innovative Technology (IJESIT)

Volume 6, Issue 1, January 2017

V. CONCLUSION

Based on the design methodology proposed by Gaunekar et al [1], a computer program was developed and by playing with different parameters, we have tried to increase efficiency of available linear motor compressor. Using same code, a new 8cc compressor is designed and optimized.

VI. FUTURE ENHANCEMENT

While analyzing new compressor design more powerful magnet strength can be used and perform further parametric study for improving efficiency and to reduce the size of compressor. Research can also be carried out with different materials so as to see effect on compressor performance.

REFERENCES

- [1] Gaunekar A., "Analysis, design development and experimental testing of a linear motor driven, miniatures, split Stirling cryocooler using flexure bearings for satellite based cooling applications". Ph. D. Thesis, Department of Mechanical Engineering, I.I.T. Bombay. (1996).
- [2] Gaunekar A, Bapat S.L.and Narayankhedkar K.G.," Design and development of a voice coil motor driven split stirling cryocooler for space-borne application", in proc. ICEC 18, Narosa Publishing House, Mumbai, India,2000,pp591-594.
- [3] Gawali B.S., "Design and development of a Miniature Integral Pulse Tube Nitrogen Liquefier".Ph. D. Thesis, Department of Mechanical Engineering, I.I.T. Bombay. (2005).
- [4] Chikurde S. C., "Parametric Analysis of a Linear Compressor Used in Cryocooler For Efficiency Improvement", ET and TE 2007, HIT, Haldia, India, pp. 12-13, (2007).

AUTHOR BIOGRAPHY



Satish Chikurde is HOD in Mechanical Engineering Department at AISSMS Polytechnic, Pune, India. He received his M.E. in Mechanical Engineering from Shivaji University, India in 2002. He is currently pursuing Ph.D. and his research interest includes design and development of Cryocoolers.



A. B. Datey is Professor in Department of Technology, Shivaji University, Kolhapur, India. He received his Ph.D from IIT, Bombay. He has also worked as Professor in Ethiopian University. His research interest is in Refrigeration and Cryogenics.